

# SMT-190DN SMT-190DP

19" LCD Built-in with DVR, 2 Weather Resistant Cameras,  
2 Night Vision Cameras



## Summary

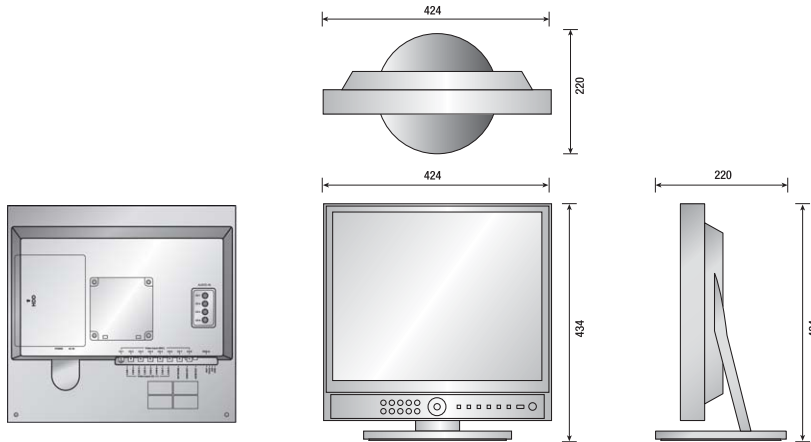
The SMT-190DN(P) system includes a 19" LCD with built-in DVR features, 2 weather resistant cameras and 2 night vision cameras. It enables 8 Channel video & audio Time-Lapse recording without an external recorder.

## Features

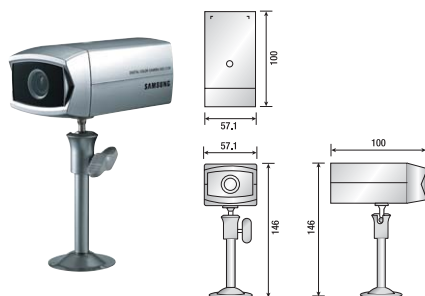
- 19" AML LTM190EX-L31 LCD with 8CH (BNC/RJ-11) Built-in DVR
- 8 Channel Video & Audio Time-Lapse recording capability
- High Picture Quality : MPEG4
- Remote Monitoring and control through Network (LAN)
- Various Recording (Normal, Schedule, Motion, Alarm)
- Live viewing/Recording during playback (Triplex)
- Various network environments (TCP/IP, PPPoE, DDNS)

## Dimensions (unit:mm)

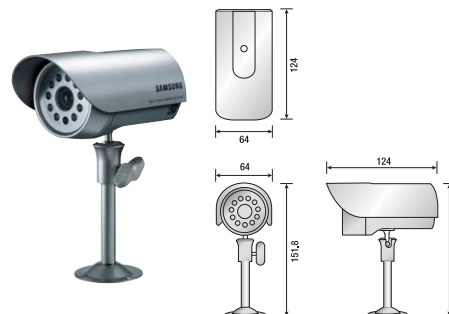
19" LCD with Built-in DVR



Weather Resistant Camera : SOC-C120



Night Vision Camera : SOC-N120



Night Vision Camera(Metal) : SOC-N121



# Specifications

Model	SMT-190D(N)(P)	SMT-190DK(P)		
<b>Operation System</b>				
Linux				
<b>Video</b>	<b>Video System</b>	NTSC/PAL	NTSC	
	<b>Video Input</b>	VGA : 1 EA		
		BNC Type : 8 EA		
		DIY Camera(RJ-11) : 8EA		
	<b>Video Output</b>	Composite 1 Channel(CVBS)		
	<b>Display Mode</b>	Single, Multi Screen(4, 9), PIP, Sequence, Freeze, Digital 2X Zoom		
	<b>Display Horizontal Resolution</b>	450 TV LINE (Live full mode)		
	<b>Sequence Event List</b>	Select between 0 sec to 60 sec Recorder Time, Alarm/Motion, Power, Loss CH		
	<b>Function</b>	Zoom, PIP, Sequence, Freeze, Power Save, Display Mode		
	<b>Audio</b>	<b>Audio Input</b>	Mono 8Channels : CAMERA 8 CH (RJ-11) -For DIY Camera MIC. 4 Channel input, RCA Type	
<b>Audio Output</b>		Mono 1 Channel		
<b>Input</b>		Alarm Inputs(8 cameras )		
<b>Alarm/Motion</b>	<b>Output</b>	1(Terminal Jack), A/O (HOT, COLD) : Relay Active		
	<b>Alarm Reset</b>	1(Terminal Jack), A/R (Alarm Reset) : Open Collector "L" Level, Pulse Width =150ms or above		
	<b>Pre Alarm</b>	OFF, 1sec, 2sec, 3sec, 4sec, 5sec		
	<b>Duration</b>	5sec ~ 59sec, 1M, 2M ~ 30M		
	<b>Buzzer</b>	Yes		
	<b>Motion Detection</b>	Each CH Level : High, Normal, Low		
	<b>Network</b>	<b>Remote Viewer</b>	Multi viewer(Favorite function) -MAX 9 division	
			Use exclusive codec for network transmission -No dependency with the recording condition	
A/V stream transmit Protocol -TCP/IP				
Using DDNS server, Dynamic IP connection				
Live monitoring				
Record in remote PC.				
<b>Compression</b>		MPEG4-I		
<b>Network</b>		Supports 10/100Base-T		
<b>Network Protocol</b>		TCP/IP, DHCP, PPPoE, DDNS		
<b>PC Environment</b>		Windows 2000, Windows XP, Windows NT, Windows VISTA		
<b>Remote Monitoring Speed</b>		Average 2Mbps bandwidth		
<b>PC Backup</b>		live image recording, Play back by viewer		
<b>Remote Searching</b>		Date/Time, Event List Search		
<b>Snap Shot</b>		1 snap image recording		
<b>Security</b>		Password / User name Protection		
<b>E-Mail sending</b>		alarm occure e-mail(0.5sec/5image/5recipient)		
<b>Web Browser</b>		Internet Explorer 5.5 up		
<b>Remote Function Control</b>		Single/Quad Display Control, Sequence, Large/Small Display		
<b>Max Connector</b>		Max 10 person, 4 person guarantee		
<b>REC/Play /Searching</b>		<b>Video REC/PB Speed</b>	60ips	
		<b>Video CODEC</b>	MPEG4	
		<b>Audio CODEC</b>	G.723	
	<b>Simplex/Duplex</b>	Duplex		
	<b>Video REC CH Number</b>	8CH Mode		
	<b>Display Speed</b>	7.5ips/CH		
	<b>REC Mode</b>	Time Lapse, Event(Alarm, Motion), Schedule(Date/Time)		
	<b>Play Speed</b>	-64, -32, -16, -8, -4, -2, 0(Pause), Play, 2, 4, 8, 16, 32, 64		
	<b>Recording Capability Time</b>	48 hours(8CH Real time) Time Lapse Mode : Max 1625 hours(8CH MODE)		
	<b>Video Record Resolution</b>	CIF:60ips		
	<b>Search Mode</b>	Recorder Event Search, Alarm/Motion Event Search, Date/Time Search		

Model	SMT-190D(N)(P)	SMT-190DK(P)		
<b>Password</b>	<b>Password</b>	on/off		
<b>Remote Controller</b>	<b>Remote Controller</b>	Yes		
<b>Storage</b>	<b>HDD</b>	250G		
<b>BACK UP</b>	<b>BACK UP</b>	USB 2.0 I/F : Front 1Port - Memory		
<b>CRT Panel</b>	<b>Inch</b>	19" AML LTM190EX-L31		
	<b>Display Type</b>	SXGA a-Si TFT-LCD		
	<b>Resolution (HxV)</b>	1280 X 1024		
	<b>Brightness(cd/m²)</b>	300		
	<b>Contrast</b>	1,000:1		
	<b>Response Time</b>	5msec		
	<b>Viewing Angle Degree</b>	80/80/80/80		
	<b>Active Display Area</b>	376.32mm(H) x 301.056mm(V)		
	<b>Pixel Pitch</b>	0.294mm(H) x 0.294mm(V)		
	<b>Monitor Feature</b>	<b>Scan System</b>	Progressive	
<b>Screen Mode</b>		4:3		
<b>2D Comb Filter</b>		YES		
<b>Noise Reduction</b>		YES		
<b>PIP</b>		YES		
<b>Freeze</b>		YES		
<b>Under Scan</b>		YES		
<b>HAS Stand (Lift/Tilt/Swivel)</b>		0 ~ 100mm / 0° ~ 23° / -175° ~ +175°		
<b>Power</b>		<b>Power</b>	AC120V, 60Hz	
<b>Audio Output</b>	<b>Audio Output</b>	2 W		
<b>Package Composition</b>	<b>Product Composition</b>	Night Vision Camera SOC-N120(P) : 2EA Weather Resistant CameraSOC-C120(P) : 2EA 60 ft Cable	NONE	
	<b>Environmental Conditions</b>	<b>Operating Temperature</b>		0 °C ~ 40 °C
	<b>Storage Temperature</b>	-20 °C ~ 60 °C		
<b>Dimensions</b>	<b>Operating Humidity</b>	20% ~ 85% RH		
	<b>Storage Humidity</b>	20% ~ 95% RH		
	<b>Net(mm)</b>	424x220x434(WxDxH)		
<b>Weight</b>	<b>Package(mm)</b>	517x382x507(WxDxH)	517x262x507(WxDxH)	
	<b>Net(kg)</b>	7.95	7.95	
	<b>Package(kg)</b>	14.75	10.75	